

Monteringsvejledning

DIOSPOT® Tight

220-240V AC max 7W LED

Denne downlight er specielt konstrueret til montage i lofter, hvor dampspærren ligger tæt på bagsiden af loftet. Ved korrekt montage opretholdes tætheden i bygningen. For montage direkte i brandhæmmende isoleringsmaterialer. Monteres med min. 60° C kabel for fast installation. Den anførte maksimum wattage for lyskilden og spænding må ikke overskrides.

Husk at afbryde for spændingen, før montage.

Den lukkede installationsboks er godkendt til videresløjfning.

Det anbefales at foretage en prøveboring i tilsvarende materiale, før opsætning. Udskæringshul Ø75 mm.

Downlighten er egnet til brug i område 1 og 2, i rum med bad eller bruser, hvis der samtidig bruges en egnet IP44 LED lyskilde.

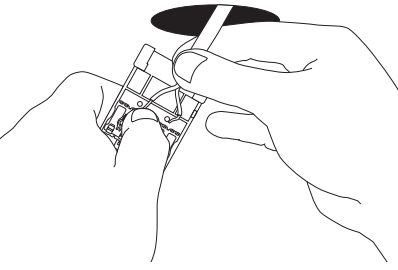
1

Bor hul i loftet og dampspærren. Hulmål Ø75mm



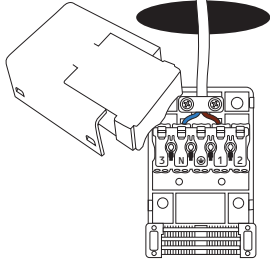

Sørg for at der ikke ligger bygningsmateriale eller rester oven på dampspærren. Fjern evt. dette ved at køre en finger rundt på oversiden af dampspærren.

2



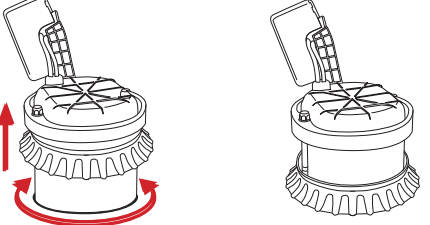
Afmonter dæksel på tilslutningsboksen. Monter kabler i indstiksklemrække.

3

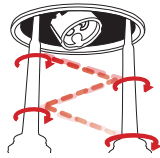


Monter dæksel igen og pres den indbyggede kabelaflastning ned over kablerne.

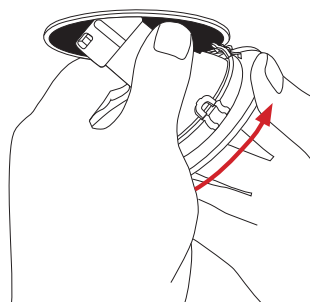
4



Downlighten isættes i loftet og der drejes et par gange rundt til hver side, for at sikre at downlighten går fri af dampspærren. De 2 stk. Torx 10 skruer spændes skiftevis, indtil downlighten sidder forsvarligt fast. Vær opmærksom på ikke at overspænde skrueerne, da dette kan medføre efterfølgende utæthed i bygningen.

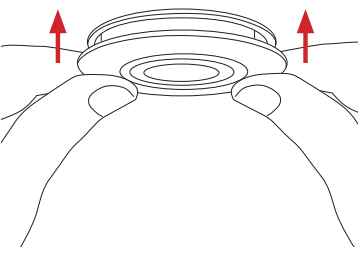


5



Isæt lyskilde i frontringen og drej lyskilden i GU10 fatningen.

6



Monter frontringen i downlighten



Installation instructions

DIOSPOT® Tight

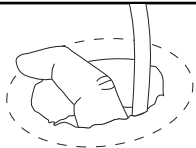
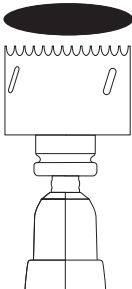
220-240V AC max 7W LED

This downlight is constructed especially for mounting in ceilings, where the vapor barrier is placed directly on the backside of the ceiling. If mounted correctly, the airtightness will be maintained in the building. For mounting directly in insulation. For use with min. 60 C degrees marked cable for building installation. The indicated maximum wattage must not be exceeded.

Always turn off the power, before installation. The connection box is approved for looping of cables. Its recommended to do a test drilling in similar ceiling material, before installation. The cut-out hole diameter is 75 mm. The downlight is suitable for use in rooms with bath or shower, if used together with a suitable IP44 LED light source. Notice that this is only valid for use in Denmark.

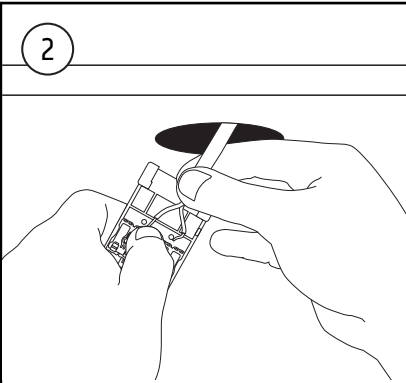
1

Drill a hole in ceiling and vapor barrier. Size $\varnothing 75\text{mm}$

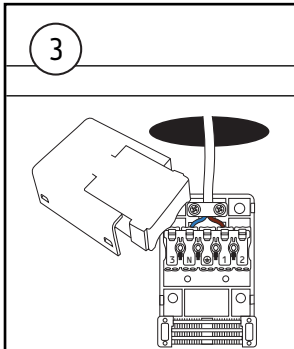
Make sure that there is no building materials or left overs on top of the vapor barrier. Remove any of this with a finger.

2



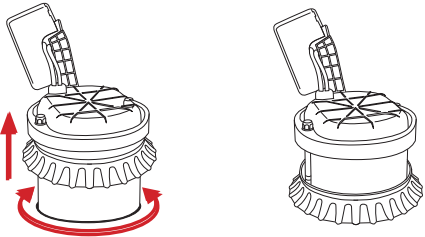
Take off the cover of the connection box. Mount the cables in the terminal block.

3

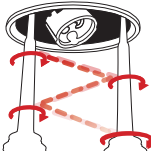


Put back the cover of the connection box. Make sure the strain relief is pushed firmly down on the cables.

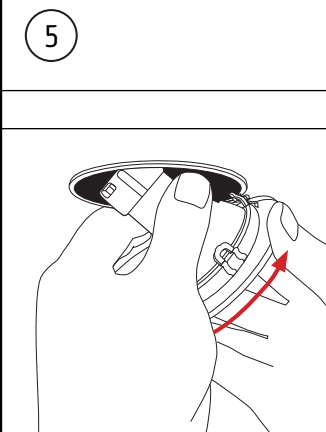
4



Insert downlight in the ceiling and turn it a few times to each side to ensure that the downlight breaks through the vapor barrier. Tighten the 2 Torx10 screws alternately until the downlight is firmly tightened in the ceiling. Be careful not to tighten the screws too much, as this may cause a following leakage in the building.

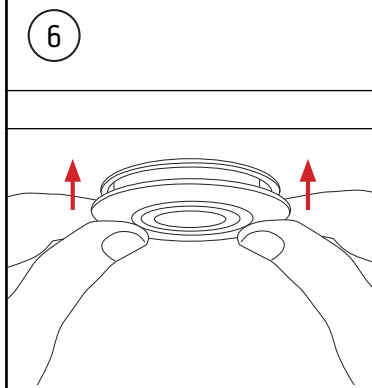


5



Insert the LED light source into the front bezel and turn the light source into the GU10 socket.

6



Mount the front bezel into the downlight.

